

Air Poppets

Air Poppets from Superior are designed to release the vacuum created during injection molding. Deep drawn and thin wall parts like cups, containers, pans, buckets and pots can be efficiently released from the mold with a charge of air to the air poppet valve. Made from 420 Stainless Steel with a hardness of 40-44 Rc, Superior Air Poppets can be further surface ground and polished to prevent flash and part marking. Recommended air supply is 80 to 100psi for proper operation.



Air Poppets
3/8" - 3/4" DIA **A**

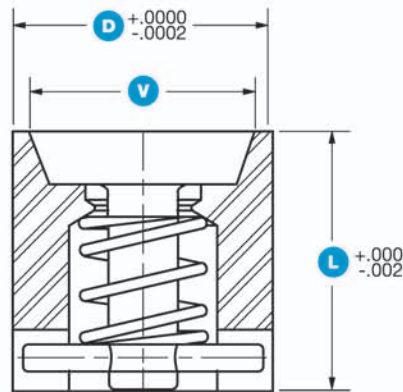
MATERIAL:
420 Stainless Steel

HEAT TREAT SPECIFICATIONS:

- Hardness of 40 +/- 2 Rc

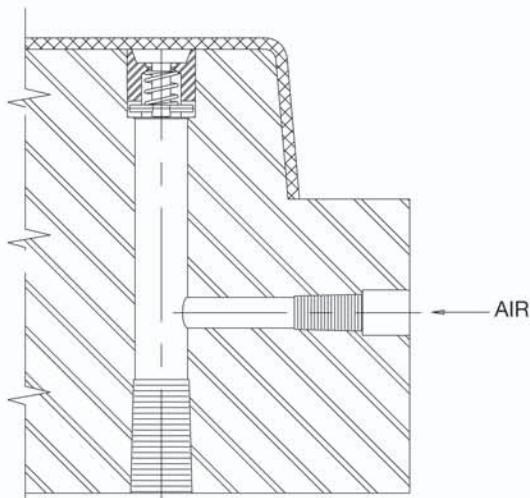
WHEN ORDERING PLEASE SPECIFY:

1. PART NUMBER
2. QUANTITY



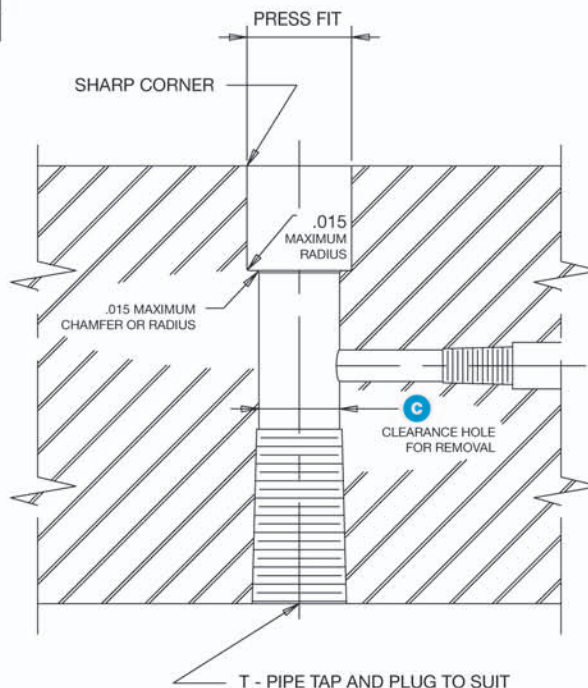
AIR POPPETS

D	V	L	C	Part #
.3754	.325	.377	9/32	APV-375
.5005	.437	.502	3/8	APV-500
.7505	.656	.752	37/64	APV-750
1.0006	.895	1.002	3/4	APV-100



NOTE: Recommended Air Pressure is 80-100 psi

OPERATING DATA



MACHINING DATA

FOR ONLINE ORDERING GO TO WWW.SHOPSUPDIE.COM
SPECIAL ORDERS ARE ALWAYS WELCOMED. CONTACT SUPERIOR TODAY.



1-800-558-6040
www.superiordieset.com